

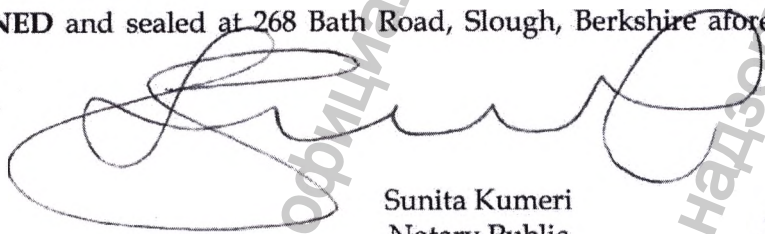
**КОПИЯ**

*Экзем. док.*

**BE IT KNOWN** that I, Sunita Kumeri of, 268 Bath Road, Slough, Berkshire United Kingdom a duly authorised Notary Public

**CERTIFY ONLY** that Brian Michael Howes who is well known to me and who is duly authorised by Reckitt Benckiser Healthcare (UK) Limited ("the Company") to represent them in this matter has today caused the annexed Operational Documentation for Durex® Play Lubricants in Variations to be produced to me and has represented to me on behalf of the company that the said document is a true copy of the original electronic document produced to him.

**SIGNED** and sealed at 268 Bath Road, Slough, Berkshire aforesaid on 6<sup>th</sup> August 2020.



Sunita Kumeri  
Notary Public  
England and Wales

Protocol No. *5120*



Информация получена с официального сайта  
Федеральной службы по надзору в сфере здравоохранения  
www.goszdravnadzor.ru

Approved by

DocuSigned by:  
*Mark Ainsworth*  
Signer Name: Mark Ainsworth  
Signing Reason: I approve this document  
Signing Time: 28-07-2020 | 08:58 BST  
BC84284D7A8448A5AA7891DC39BD6CF0

Date: 28-07-2020 | 09:05 BST

Name of Responsible Person Mark Ainsworth

Operational documentation:

Durex® Play lubricants

Manufactured by:

Reckitt Benckiser Healthcare (UK) Ltd., UK

**Operational documentation**

**Durex® Play lubricants in variations**

Информация получена с официального сайта  
Федеральной службы по надзору в сфере здравоохранения  
www.gosdrazhnadzor.ru

## Version 02

### MEDICAL DEVICE NAME

Durex® Play lubricants in variations

1. Durex® Play Feel lube;
2. Durex® Play Heat lube;
3. Durex® Play Sweet Strawberry lube.
4. Durex® Play Very Cherry lube.

### LEGAL MANUFACTURER

Reckitt Benckiser Healthcare (UK) Ltd., United Kingdom  
Head office address: 103-105 Bath Road, Slough, Berkshire, SL1 3UH, UK  
Location address: Dansom Lane, Hull, HU8 7DS, UK  
Phone: +44 (0) 1482 582438.

#### Manufacturing site(s):

- Reckitt Benckiser Healthcare Manufacturing (Thailand) Ltd., 65 Moo 12, Lardkrabang-Bangplee Rd, Bangplee, Samutprakarn, 10540, Thailand
- Meiyume Manufacturing (Thailand) Limited, № 21/7 Moo 6, Tambol Kookot, Amphur Lamlukka, Pathumthani Province, 12130, Thailand

#### Authorized representative of the manufacturer of the medical device

Name: Reckitt Benckiser Healthcare Limited Liability Company.  
Abbreviated name: Reckitt Benckiser Healthcare LLC  
Address: floor 3, 4 Shlyuzovaya nab., Moscow, Russia, 115114.  
Telephone: +7(495)9612565.  
Fax: +7(495)9612566  
e-mail: contact\_ru@rb.com

### MEDICAL DEVICE APPLICATION:

Durex® Play lubricants in variations are used to ease vaginal dryness and discomfort during sexual intercourse.

### DEVICE DESCRIPTION

Durex® Play lubricants are personal lubricants intended to ease vaginal dryness and intimate discomfort. These lubricants are applied to the intimate areas prior to sexual intercourse or as required. The products are suitable for all types of sex (vaginal, anal and oral), as indicated on instructions for use.

- Durex® Play Sweet Strawberry and Durex® Play Very Cherry are flavored lubricants.
- Durex® Play Feel and Durex® Play Heat are flavorless lubricants.

The flavors in Durex® Play Sweet Strawberry, Durex® Play Very Cherry are achieved by the following ingredients, such as Strawberry flavoring agent - Strawberry sherbet A0818111, Cherry flavoring agent - Cherry FH2A/FIR580650T, respectively.  
 Durex® Play Heat has a specific warming effect, which is achieved by hygroscopic effect in contact with the skin due to the high concentration of glycerol.  
 Durex® Play Feel – classic water base lubricants.

### TECHNICAL CHARACTERISTICS

Device specification

| № | Technical parameter                  | Quality requirements for release  | Quality requirements for shelf life   |
|---|--------------------------------------|---|---|
| 1 | <b>Durex® Play Feel</b>              |   |   |
|   | Appearance                           | Clear gel free from lumps and extraneous matter                               | Clear gel free from lumps and extraneous matter                                       |
|   | Odor test                            | Odorless  | Odorless  |
|   | pH at 25°C                           | 5,1-5.8   | 5,1-5.8   |
|   | Benzoic acid, %w/w                   | 0.143-0.157   | 0.130-0.157   |
|   | Total aerobic bacterial count, CFU/g | NMT 200   | NMT 200   |
|   | Total yeasts and molds count, CFU/g  | NMT 20  | NMT 20  |
| 2 | <b>Durex® Play Heat</b>              |   |   |
|   | Appearance                           | Clear, colourless gel free from lumps and extraneous matter                   | Clear, colourless gel free from lumps and extraneous matter                           |
|   | Odor test                            | Slightly sweet  | Slightly sweet  |
|   | pH at 25°C                           | 3.8 – 4.8   | 3.8 – 4.8   |
|   | Benzoic acid, %w/w                   | 0.143 – 0.157   | 0.130 – 0.157   |
|   | Total aerobic bacterial count, CFU/g | NMT 200   | NMT 200   |
|   | Total yeasts and molds count, CFU/g  | NMT 20  | NMT 20  |
| 3 | <b>Durex® Play Sweet Strawberry</b>  |   |   |
|   | Appearance                           | Clear, colourless to slightly pink gel, free from lumps and extraneous matter | Clear to hazy, colourless to slightly pink gel, free from lumps and extraneous matter |
|   | Odor test                            | Characteristic of strawberry  | Characteristic of strawberry  |
|   | Taste test                           | Characteristic of strawberry  | Characteristic of strawberry  |
|   | pH at 25°C                           | 3.8 – 4.8   | 3.8-4.8   |
|   | Benzoic acid, % w/w                  | 0.143 – 0.157   | 0.130 – 0.157   |
|   | Total aerobic bacterial count, CFU/g | NMT 200   | NMT 200   |

|          | Total yeasts and molds count, CFU/g  | NMT 20  | NMT 20  |
|----------|--------------------------------------|---|---|
| <b>4</b> | <b>Durex® Play Very Cherry</b>       |   |   |
|          | Appearance                           | Clear, colourless to slightly yellow gel, free from lumps and extraneous matter | Clear, colourless to slightly yellow gel, free from lumps and extraneous matter |
|          | Odor test                            | Characteristic of cherry  | Characteristic of cherry  |
|          | Taste test                           | Characteristic of cherry  | Characteristic of cherry  |
|          | pH at 25°C                           | 3.8 – 4.8   | 3.8 – 4.8   |
|          | Benzoic acid, %w/w                   | 0.143 – 0.157   | 0.130 – 0.157   |
|          | Total aerobic bacterial count, CFU/g | NMT 200   | NMT 200   |
|          | Total yeasts and molds count, CFU/g  | NMT 20  | NMT 20  |

## MAIN PARAMETERS AND CHARACTERISTICS

Durex® Play lubes can be shipped in 50 ml bottles (№ 1-2), 100ml bottles (№ 3) and 5 ml sachet (for Durex Play Feel only).

### Packaging Specification:

**PACK SIZE: Bottle №1: Bottle without Dispenser (Flip Top Cap) 50 ml.**

- Durex® Play Feel, the nominal volume is not less than 50 ml and the lube weight is not less than 54.5 g
- Durex® Play Heat, the nominal volume is not less than 50 ml and the lube weight is not less than 61.0 g.
- Durex® Play Strawberry, the nominal volume is not less than 50 ml and the lube weight is not less than 61.0 g.
- Durex® Play Very Cherry, the nominal volume is not less than 50 ml and the lube weight is not less than 61.0g.

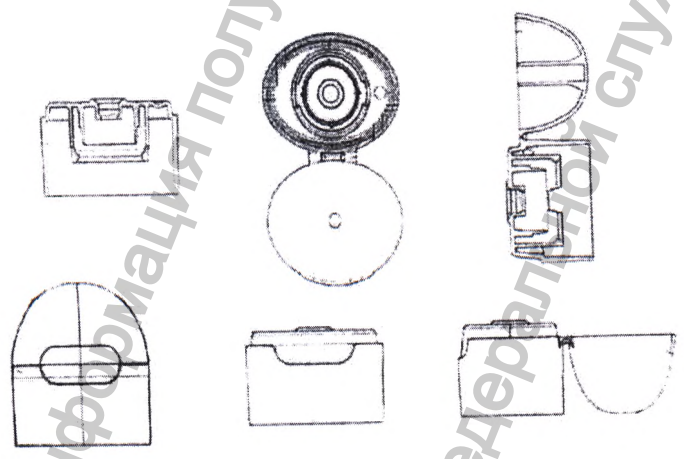
**Bottle №1: Drawing**



**Bottle №1: Specification of Bottle**

| Parameter           | Value | Tolerance | U.O.M |
|---------------------|-------|-----------|-------|
| Overall Height      | 112,2 | ±1        | mm    |
| Diameter Minor Axis | 31,5  | ±0,5      | mm    |
| Weight              | 8,5   | ±0,5      | g     |

**Bottle №1: Drawing of Cap**

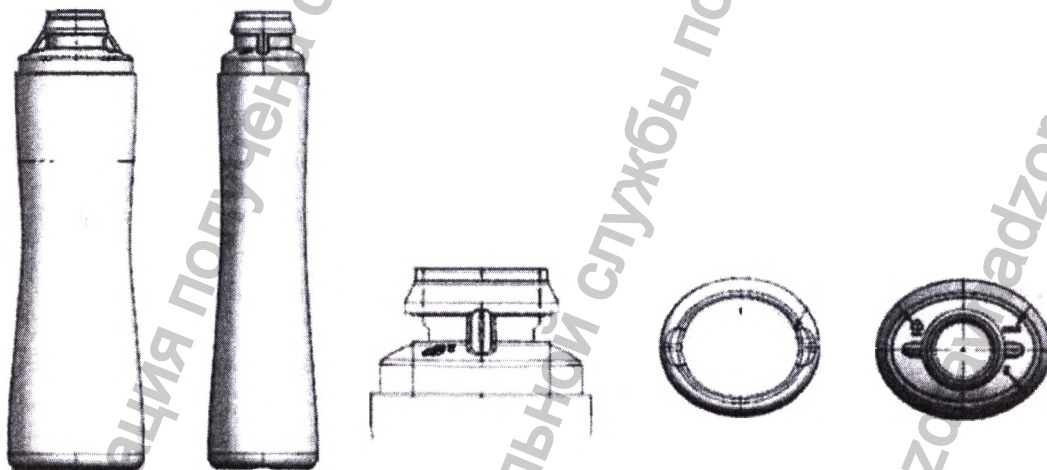


**Bottle №1: Specification of Cap**

| Parameter                 | Value     | Tolerance | U.O.M |
|---------------------------|-----------|-----------|-------|
| Overall Height            | 35,5      | ±0,5      | mm    |
| External Diameter at Base | 33,8×25,8 | ±0,5      | mm    |
| Internal Diameter at Base | 32,2×24.2 | ±0,5      | mm    |

**PACK SIZE:****Bottle №2: Bottle without Dispenser (Flip Top Cap) 50 ml.**

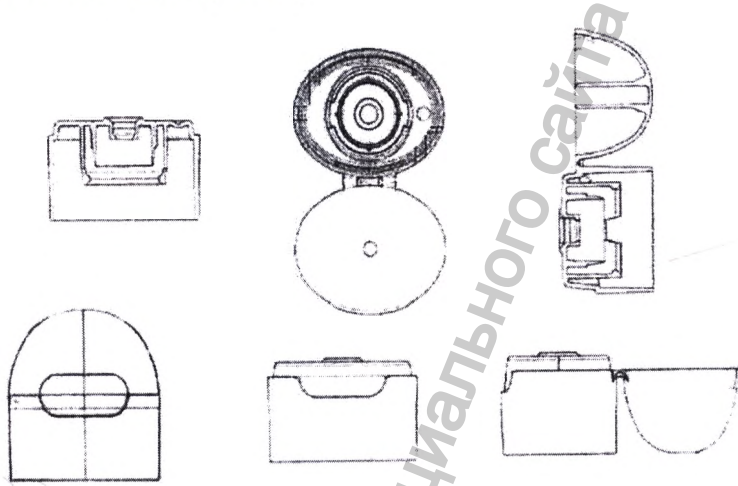
- Durex® Play Feel, the nominal volume is not less than 50 ml and the lube weight is not less than 62.6g.
- Durex® Play Heat, the nominal volume is not less than 50 ml and the lube weight is not less than 69.9 g.
- Durex® Play Sweet Strawberry, the nominal volume is not less than 50 ml and the lube weight is not less than 69.9 g.
- Durex® Play Very Cherry, the nominal volume is not less than 50 ml and the lube weight not less than 69.9 g.

**Bottle №2: Drawing**

**Bottle №2: Specification of Bottle**

| Parameter           | Value       | Tolerance | U.O.M |
|---------------------|-------------|-----------|-------|
| Overall Height      | 116.2       | ±1,0      | mm    |
| Diameter Minor Axis | 31,5        | ±0,5      | mm    |
| Wall Thickness      | Minimum 0.4 | -         | mm    |
| Weight              | 9.0         | ±1.0      | g     |

**Bottle №2: Drawing of Cap**



**Bottle №2: Specification of Cap**

| Parameter                 | Value     | Tolerance | U.O.M |
|---------------------------|-----------|-----------|-------|
| Overall Height            | 35,5      | ±0,5      | mm    |
| External Diameter at Base | 33,8×25,8 | ±0,5      | mm    |
| Internal Diameter at Base | 32,2×24.2 | ±0,5      | mm    |

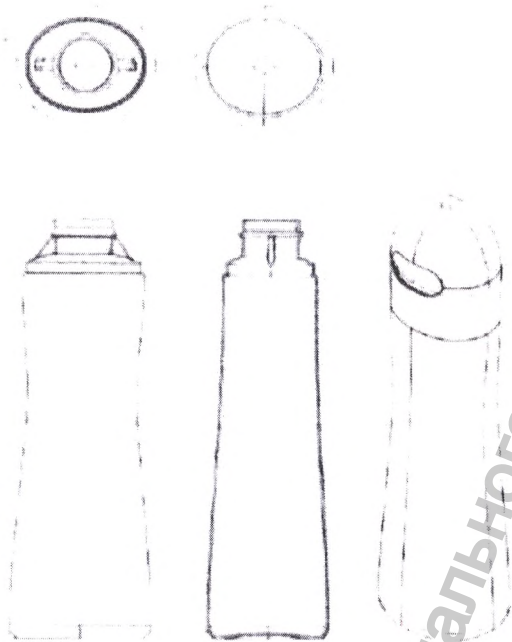
**PACK SIZE:**

**Bottle №3: Bottle without Dispenser (Flip Top Cap) 100 ml.**

- Durex® Play Feel, the nominal volume is not less than 100 ml and the lube weight is not less than 110 g.
- Durex® Play Heat, the nominal volume is not less than 100 ml and the lube weight is not less than 121 g.
- Durex® Play Sweet Strawberry, the nominal volume is not less than 100 ml and the lube weight is not less than 121 g.
- Durex® Play Very Cherry, the nominal volume is not less than 100 ml and the lube weight is not less than 121 g.



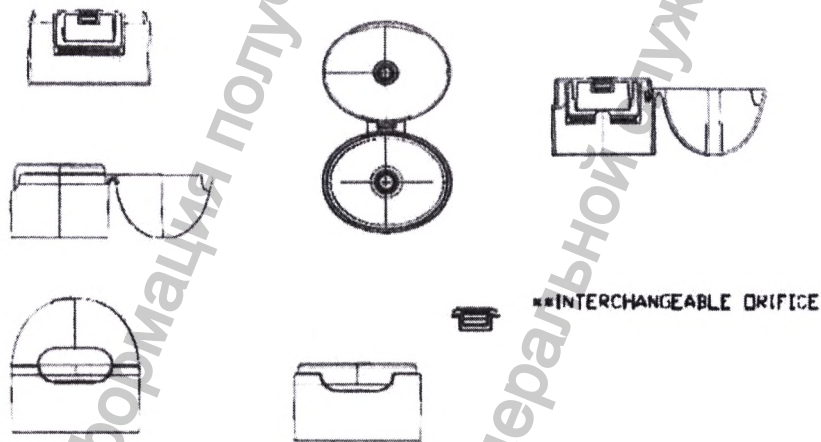
**Bottle №3: Drawing**



**Bottle №3: Specification of Bottle**

| Parameter           | Value       | Tolerance | U.O.M |
|---------------------|-------------|-----------|-------|
| Overall Height      | 132.5       | ±1,0      | mm    |
| Diameter Minor Axis | 38.0        | ±0,5      | mm    |
| Wall Thickness      | Minimum 0.4 | -         | mm    |
| Weight              | 12.5        | ±0,5      | g     |

**Bottle №3: Drawing of Cap**



**Bottle №3: Specification of Cap**

| Parameter                 | Value     | Tolerance | U.O.M |
|---------------------------|-----------|-----------|-------|
| Overall Height            | 40        | ±0,5      | mm    |
| External Diameter at Base | 38×30     | ±0,5      | mm    |
| Internal Diameter at Base | 36.4×28.4 | ±0,5      | mm    |

**PACK SIZE: 5ml Sachet**

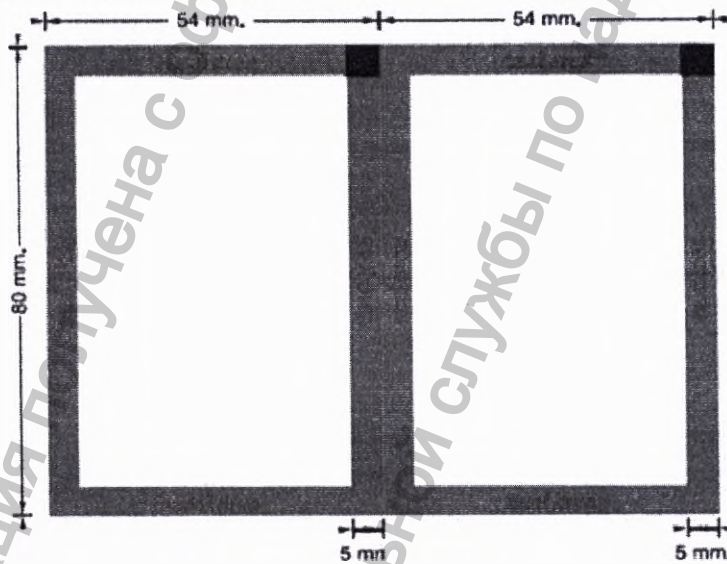
Durex® Play Feel, the nominal volume is not less than 5 ml and the lube weight is not less than 5.6 g

**5ml Sachet: Specification of Sachet**

| Parameter                 | Value           | Tolerances | U.O.M |
|---------------------------|-----------------|------------|-------|
| Bag Size (Width x Length) | 54 x 80 mm      | ±1         | mm    |
| Weight                    | 0.79 per sachet | ±0.06      | g     |

**5ml Sachet: Image/drawing of sachet**

Sealing area is 5 +/-1 mm for each edge/side.



5ml Sachet is additionally packed in a secondary carton package.

**RAW MATERIALS****Packaging Materials for Bottle № 1-3**

| Package part   | Material        |
|----------------|-----------------|
| <b>Bottle:</b> | HDPE:6140B SCG  |
| <b>Cap:</b>    | PP: RP 348N HMC |

**Packaging Materials for 5ml Sachet**

| Packaging | Material   |
|-----------|--|
| Foil      | PET 12 $\mu$ m/ Ink + Adhesive 5 $\mu$ m/ DL /Aluminium 9 $\mu$ m/ LDPE 50 $\mu$ m<br>PET: A.J. Plast Public Company Limited<br>Ink: TOYO INK (THAILAND) CO., LTD<br>Adhesive: Novacote Flexpack<br>Aluminium: JIANGSU ZHONGJI LAMINATION MATERIALS<br>LDPE: SCG Chemicals Co., Ltd. |

\*The suppliers of raw materials can be changed based on manufacturer decision. The quality, safety and efficacy of medical device will be assessed by legal manufacturer before change will be implemented.

PP – polypropylene

HDPE – high-density polyethylene

LDPE – low-density polyethylene

PET – polyethylene terephthalate

DL - dry lamination

**FORMULA RAW MATERIAL/LUBRICANT COMPOSITION:**

| Device name      | Chemical compound    | Weight fraction, % |
|------------------|----------------------|--------------------|
| Durex® Play Feel | Purified water       | 58.850             |
|                  | Propylene glycol     | 20.000             |
|                  | Glycerol             | 20.000             |
|                  | Carbomer             | 0.600              |
|                  | Xanthan Gum – CG-SFT | 0.200              |
|                  | Sodium hydroxide     | 0.160              |
|                  | Benzoic acid         | 0.150              |
|                  | Citric acid          | 0.040              |

|                                     |  |         |
|-------------------------------------|--|---------|
| <b>Durex® Play Heat</b>             | Glycerol   | 79.805  |
|                                     | Purified water   | 17.5575 |
|                                     | Propylene glycol                                       | 2.000   |
|                                     | Hydroxyethylcellulose Natrosol 250 Pharm**             | 0.400   |
|                                     | Benzoic acid   | 0.150   |
|                                     | Saccharin sodium                                       | 0.075   |
|                                     | Sodium hydroxide*                                      | 0.0125  |
| <b>Durex® Play Sweet Strawberry</b> | Glycerol   | 79.805  |
|                                     | Purified water   | 16.5575 |
|                                     | Propylene glycol                                       | 2.000   |
|                                     | Hydroxyethylcellulose Natrosol 250 Pharm**             | 0.400   |
|                                     | Benzoic acid   | 0.150   |
|                                     | Saccharin sodium                                       | 0.075   |
|                                     | Sodium hydroxide*                                      | 0.0125  |
|                                     | Strawberry flavoring agent Strawberry sherbet A0818111 | 1.000   |
| <b>Durex® Play Very Cherry</b>      | Glycerol   | 79.000  |
|                                     | Purified water   | 18.270  |
|                                     | Propylene glycol                                       | 2.000   |
|                                     | Hydroxyethylcellulose Natrosol 250 Pharm**             | 0.400   |
|                                     | Benzoic acid   | 0.150   |
|                                     | Saccharin sodium                                       | 0.075   |
|                                     | Sodium hydroxide*                                      | 0.025   |
|                                     | Cherry flavoring agent Cherry FH2A /FIR 580650T        | 0.080   |

\* Sodium hydroxide is included in the formulation as a pH adjuster in. The amount of sodium hydroxide can vary up to 0.025% for formulation Durex® Play Sweet Strawberry, Durex® Play Heat, and Durex® Play Very Cherry. The amount of purified water will be adjusted accordingly to ensure correct batch weight is obtained.

\*\* Amount of Natrosol may be adjusted depending on raw material viscosity. The amount of purified water will be adjusted accordingly to ensure correct batch weight is obtained.

#### APPLICATION

| Bottle №1-3  | Sachet   |
|--|--|
| Flick cap open and squeeze gently apply.   | Tear sachet open and squeeze gently to apply.<br>For single use. |
| The lubricant can also be applied to the outside surface of a condom*. The products are suitable for all types of sex, as indicated on instructions for use. |  |

#### CONDOM COMPATIBILITY

\*

| Durex® Play lubes in variations: | Condom compatibility |    |    |
|----------------------------------|----------------------|----|----|
|                                  | NRL                  | PI | PU |
|                                  |                      |    |    |

|                                   |            |            |            |
|-----------------------------------|------------|------------|------------|
| Durex® Play Feel lube             | Compatible | Compatible | Compatible |
| Durex® Play Heat lube             | Compatible | Compatible | Compatible |
| Durex® Play Sweet Strawberry lube | Compatible | Compatible | Compatible |
| Durex® Play Very Cherry lube      | Compatible | Compatible | Compatible |

## POTENTIAL CONSUMERS

Lubricants are intended for home use.

## APPLICATION CONDITIONS

There are no specific temperature conditions required for the operation/use of the products.

## TRANSPORTATION AND STORAGE, SHELF LIFE

### Transportation:

Products are being transported by all types of transport in pallet.

Transportation is allowed under the following temperature conditions from -10 up to +60°C

### Storage:

Store at the following temperature 10-30°C, out of reach of children and away from direct sunlight. An opened package should be used within three months.

### Shelf life:

Durex® Play Feel – 3 years for lube in bottles №№1-3 and 2 years for lube in 5 ml sachet;  
 Durex® Play Heat – 3 years for lube in bottles №№1-3;  
 Durex® Play Sweet Strawberry - 2 years for lube in bottles №№1-3;  
 Durex® Play Very Cherry- 3 years for lube in bottles №№1-3;


## LABELLING

Each consumer package contains the following information:

- trademark;
- batch number;
- expiry date (year and month);
- lubricant description;
- volume of lubricant in a package;
- lubricant composition
- name of legal manufacturer;
- legal manufacturer company address;
- manufacturing site address;
- storage guidelines;
- application method;

- precautions for use;
- RC information

#### LABELING SYMBOLS

| Symbol   | Interpretation     |
|--|--------------------|
| <b>LOT</b>   | Name: Batch number |
|  <b>EXP</b> | Name: Use by       |

Additional information can be printed on the individual/consumer package including reference to international standards, marketing information – see “Labelling design”.

#### GUIDELINES FOR DESTRUCTION AND DISPOSAL

Medical device should be used in accordance with the instruction for use.

Durex® Play lubes are intended as a personal lubricant for home use only, and can be disposed of as household waste. No specific requirements are applied for disposal of this product.

#### MAINTENANCE OPERATION AND REPAIR

This section is not applicable for this range of medical devices.

#### ENVIRONMENT SAFETY REQUIREMENTS

With proper transportation, usage and storage, the medical device does not harm the human body and the environment.

#### ENVIRONMENTAL PROTECTION

With proper use, storage and disposal, Durex® Play lubricants in variations have no negative impact on the environment.

Информация получена с официального сайта  
Федеральной службы по надзору в сфере здравоохранения  
[www.goszdravnadzor.ru](http://www.goszdravnadzor.ru)

Approved by

DocuSigned by:  
*Mark Ainsworth*  
Signer Name: Mark Ainsworth  
Signing Reason: I approve this document  
Signing Time: 28-07-2020 | 08:57 BST  
BC84284D7A8446A5AA7891DC39BD6CF0

Date: 28-07-2020 | 09:05 BST

Name of Responsible Person

Mark Ainsworth

Manufactured by:

Reckitt Benckiser Healthcare (UK) Ltd., UK

**CONSUMER INSTRUCTION FOR USE  
FOR MEDICAL DEVICE:**

**Durex® Play lubricants in variations:**

**manufactured by**

**Reckitt Benckiser Healthcare (UK) Limited, UK**

## 1. Durex® Play Feel lube'

Durex® Play lubricants are intended for use as personal lubricant to ease vaginal dryness and intimate discomfort.

**Before using:** lubricant is suitable for all types of sex (vaginal, anal and oral). COMPATIBLE WITH CONDOMS. Store at 10-30°C, out of reach of children and away from direct sunlight. Use within three months of opening.

### Application:

| Bottle №1-3                              | Sachet  |
|--|---|
| Flick cap open and squeeze gently apply. | Tear sachet open and squeeze gently to apply. For single use. |

The lubricant can also be applied to the outside surface of a condom.

**Precautions:** Use as directed. It's not a contraceptive and it doesn't contain spermicide. It may slow sperm down. Avoid contact with eyes, broken skin or wounds.

If you experience irritation, stop using this medical device. Consult your doctor if irritation continues, you experience persistent vaginal dryness, are pregnant or breast-feeding.

**Ingredients:** Purified water, Propylene glycol, Glycerol, Carbomer, Xanthan Gum, Sodium hydroxide, Benzoic acid, Citric acid

**Head office of manufacturer:** Reckitt Benckiser Healthcare (UK) Ltd., 103-105 Bath Road, Slough, Berkshire, SL1 3UH, UK.

### Manufacturing sites:

- 1). Reckitt Benckiser Healthcare Manufacturing (Thailand) Ltd., 65 Moo 12, Lardkrabang-Bangplee Rd, Bangplee, Samutprakarn, 10540, Thailand
- 2). Meiyume Manufacturing (Thailand) Limited, № 21/7 Moo 6, Tambol Kookot, Amphur Lamlukka, Pathumthani Province, 12130, Thailand

**Authorized representative in Russia:** Reckitt Benckiser Healthcare LLC, floor 3, 4 Shlyuzovaya emb., Moscow, Russia, 115114. Hotline phone (free in Russia): 8-800-200-82-20, e-mail: contact\_ru@rb.com.

Shelf life: 3 years (for bottle №№1-3) / 2 years (for sachet)

Use by (EXP: ГГГГ.ММ) and batch number (LOT) see on the package.

Instruction for use from: 00/0000

Registration certificate № DC3 0000/00000 from 00.00.0000



(for bottle №№1-3) /



(for sachet)

Volume 50/100/5 ml

'Feel (in Russian)



## 2. Durex® Play Heat lube'

Durex® Play lubricants are intended for use as personal lubricant to ease vaginal dryness and intimate discomfort.

Before using: lubricant is suitable for all types of sex (vaginal, anal and oral). COMPATIBLE WITH CONDOMS. Store at 10-30°C, out of reach of children and away from direct sunlight. Use within three months of opening.

Application: Flick cap open and squeeze gently apply. The lubricant can also be applied to the outside surface of a condom.

Precautions: Use as directed. It's not a contraceptive and it doesn't contain spermicide. It may slow sperm down. Avoid contact with eyes, broken skin or wounds. If you experience irritation, stop using this medical device. Consult your doctor if irritation continues, you experience persistent vaginal dryness, are pregnant or breast-feeding.

Ingredients: Glycerol, Purified water, Propylene glycol, Hydroxyethylcellulose, Benzoic acid, Saccharin sodium, Sodium hydroxide.

Head office of manufacturer: Reckitt Benckiser Healthcare (UK) Ltd., 103-105 Bath Road, Slough, Berkshire, SL1 3UH, UK.

Manufacturing sites: 1). Reckitt Benckiser Healthcare Manufacturing (Thailand) Ltd., 65 Moo 12, Lardkrabang-Bangplee Rd, Bangplee, Samutprakarn, 10540, Thailand

2). Meiyume Manufacturing (Thailand) Limited, № 21/7 Moo 6, Tambol Kookot, Amphur Lamlukka, Pathumthani Province, 12130, Thailand

Authorized representative in Russia: Reckitt Benckiser Healthcare LLC, floor 3, 4 Shlyuzovaya emb., Moscow, Russia, 115114. Hotline phone (free in Russia): 8-800-200-82-20, e-mail: contact\_ru@rb.com.

Shelf life: 3 years.

Use by (EXP: ГТГГ.ММ) and batch number (LOT) see on the package.

Instruction for use from: 00/0000

Registration certificate ФС3 0000/00000 from 00.00.0000



Volume 50/100 ml

'Heat (in Russian)

### 3. Durex® Play Sweet Strawberry lube'

Durex® Play lubricants are intended for use as personal lubricant to ease vaginal dryness and intimate discomfort.

Before using: lubricant is suitable for all types of sex (vaginal, anal and oral). COMPATIBLE WITH CONDOMS. Store at 10-30°C, out of reach of children and away from direct sunlight. Use within three months of opening.

Application: Flick cap open and squeeze gently apply. The lubricant can also be applied to the outside surface of a condom.

Precautions: Use as directed. It's not a contraceptive and it doesn't contain spermicide. It may slow sperm down. Avoid contact with eyes, broken skin or wounds.

If you experience irritation, stop using this medical device. Consult your doctor if irritation continues, you experience persistent vaginal dryness, are pregnant or breast-feeding.

**Ingredients:** Glycerol, Purified water, Propylene glycol, Hydroxyethylcellulose, Benzoic acid, Saccharin sodium, Sodium hydroxide, Strawberry flavoring agent Strawberry sherbet.

**Head office of manufacturer:** Reckitt Benckiser Healthcare (UK) Ltd., 103-105 Bath Road, Slough, Berkshire, SL1 3UH, UK.

**Manufacturing sites:** 1). Reckitt Benckiser Healthcare Manufacturing (Thailand) Ltd., 65 Moo 12, Lardkrabang-Bangplee Rd, Bangplee, Samutprakarn, 10540, Thailand

2). Meiyume Manufacturing (Thailand) Limited, № 21/7 Moo 6, Tambol Kookot, Amphur Lamlukka, Pathumthani Province, 12130, Thailand

**Authorized representative in Russia:** Reckitt Benckiser Healthcare LLC, floor 3, 4 Shlyuzovaya emb., Moscow, Russia, 115114. Hotline phone (free in Russia): 8-800-200-82-20, e-mail: contact\_ru@rb.com.

Shelf life: 2 years.

Use by (EXP: ГГГГ.ММ) and batch number (LOT) see on the package.

Instruction for use from: 00/0000

Registration certificate ФСЗ 0000/00000 from 00.00.0000



Volume 50/100 ml

'Sweet Strawberry (in Russian)

#### 4. Durex® Play Very Cherry lube'

Durex® Play lubricants are intended for use as personal lubricant to ease vaginal dryness and intimate discomfort.

**Before using:** lubricant is suitable for all types of sex (vaginal, anal and oral). COMPATIBLE WITH CONDOMS. Store at 10-30°C, out of reach of children and away from direct sunlight. Use within three months of opening.

**Application:** Flick cap open and squeeze gently apply. The lubricant can also be applied to the outside surface of a condom.

**Precautions:** Use as directed. It's not a contraceptive and it doesn't contain spermicide. It may slow sperm down. Avoid contact with eyes, broken skin or wounds.

If you experience irritation, stop using this medical device. Consult your doctor if irritation continues, you experience persistent vaginal dryness, are pregnant or breast-feeding.

**Ingredients:** Glycerol, Purified water, Propylene glycol, Hydroxyethylcellulose, Benzoic acid, Saccharin sodium, Sodium hydroxide, Cherry flavoring agent Cherry.

**Head office of manufacturer:** Reckitt Benckiser Healthcare (UK) Ltd., 103-105 Bath Road, Slough, Berkshire, SL1 3UH, UK.

**Manufacturing sites:** 1). Reckitt Benckiser Healthcare Manufacturing (Thailand) Ltd., 65 Moo 12, Lardkrabang-Bangplee Rd, Bangplee, Samutprakarn, 10540, Thailand

2). Meiyume Manufacturing (Thailand) Limited, № 21/7 Moo 6, Tambol Kookot, Amphur Lamlukka, Pathumthani Province, 12130, Thailand

**Authorized representative in Russia:** Reckitt Benckiser Healthcare LLC, floor 3, 4 Shlyuzovaya emb., Moscow, Russia, 115114. Hotline phone (free in Russia): 8-800-200-82-20, e-mail: [contact\\_ru@rb.com](mailto:contact_ru@rb.com).

Shelf life: 2 years.

Use by (EXP: ГГГГ.ММ) and batch number (LOT) see on the package.

Instruction for use from: 00/0000

Registration certificate ФСЗ 0000/00000 from 00.00.0000



Volume 50/100 ml

'Very Cherry (in Russian)

*/Рельефный оттиск на самоклеящемся лейбле/*

**НАСТОЯЩИМ УВЕДОМЛЯЮ**, что я, Сунита Кумери (Sunita Kumeri), офис расположен по адресу: Соединенное Королевство, Беркшир, Слау, Бат Роуд, 268 (268 Bath Road, Slough, Berkshire United Kingdom), являясь должным образом уполномоченным нотариусом,

**УДОСТОВЕРЯЮ ИСКЛЮЧИТЕЛЬНО** тот факт, что Брайан Майкл Хоуз (Brian Michael Howes), личность которого мною удостоверена, должным образом уполномоченный компанией «Рекитт Бенкисер Хелскэр (ЮК) Лимитед» (Reckitt Benckiser Healthcare (UK) Limited) («Компания») для ее предоставления по данному вопросу, сегодня предъявил мне приложенную эксплуатационную документацию на медицинское изделие Гели-смазки Durex® Play в вариантах исполнения и заявил мне от лица Компании, что указанный документ представляет собой достоверную копию предъявленного ему оригинала в электронном формате.

**ПОДПИСАНО** и скреплено печатью по адресу: Бат Роуд, 268, Слау, Беркшир, 6-го июля 2020 г.

*/Подпись/*  
Сунита Кумери

Нотариус

Англии и Уэльса

Протокол № 5/20

*/Рельефный оттиск на самоклеящемся лейбле/*

Информация получена с официального сайта  
Федеральной службы по надзору в сфере здравоохранения  
[www.goszdramnadzor.ru](http://www.goszdramnadzor.ru)

- Документ утвердил:

Подписано электронной подписью DocuSign:  
/подпись/

Полное имя подписавшего документ: Марк Эйнсуорт (Mark Ainsworth)

Основание для подписания: я утверждаю настоящий документ

Время подписания: 28 июля 2020 Г. | 08:58 ПО БРИТАНСКОМУ ЛЕТНЕМУ ВРЕМЕНИ (BST)  
BC84284D7A8446A5AA7891DC39BD6CF0

- Дата: 28 июля 2020 Г. | 09:05 ПО БРИТАНСКОМУ ЛЕТНЕМУ ВРЕМЕНИ (BST)

- Имя ответственного лица Марк Эйнсуорт

- Эксплуатационная документация:

- Гели-смазки Durex® Play

- Произведено:

- «Рекитт Бенкизер Хелскэар (ЮК) Лтд.», Соединенное Королевство

**Эксплуатационная документация  
Гели-смазки Durex® Play**

Информация получена с официального сайта  
Федеральной службы по надзору в сфере здравоохранения  
[www.goszdravnadzor.ru](http://www.goszdravnadzor.ru)

## НАИМЕНОВАНИЕ МЕДИЦИНСКОГО ИЗДЕЛИЯ

Гели-смазки Durex® Play в вариантах исполнения:

1. Гель-смазка Durex® Play Feel;
2. Гель-смазка Durex® Play Heat;
3. Гель-смазка Durex® Play Sweet Strawberry;
4. Гель-смазка Durex® Play Very Cherry.

## ОФИЦИАЛЬНЫЙ ПРОИЗВОДИТЕЛЬ

«Рекитт Бенкизер Хелскээр (ЮК) Лимитед.», Соединенное Королевство  
Юридический адрес: 103–105 Бат Роуд, Слау, Беркшир, SL1 3UH, Соединенное Королевство  
Адрес места нахождения: Дэнсом Лейн, Халл, NU8 7DS, Соединенное Королевство  
Тел.: +44 (0) 1482 582438.

### Место производства:

- Рекитт Бенкизер Хелскээр Мануфэктуринг (Таиланд) Лтд., 65 Моо 12 Лардкрабанг-Бангпли Роуд, Бангпли, Самутпракарн, 10540, Таиланд.
- Мейюм Мануфэктуринг (Таиланд) Лимитед, № 21/7 Моо 6, Тамбол Кукот, Ампур Ламлукка, Патхумтхани Провинс 12130, Таиланд.

### Уполномоченный представитель производителя медицинского изделия

Название: Общество с ограниченной ответственностью «Рекитт Бенкизер Хэлскэр»  
Сокращенное название: ООО «Рекитт Бенкизер Хэлскэр»  
Адрес: Россия, 115114, Москва, Шлюзовая набережная, 4, 3-й этаж  
Тел.: +7 (495) 961 25 65  
Факс: +7 (495) 961 25 66  
e-mail: contact\_ru@rb.com

## НАЗНАЧЕНИЕ МЕДИЦИНСКОГО ИЗДЕЛИЯ

Гели-смазки Durex® Play используются для уменьшения сухости влагалища и снижения дискомфорта во время полового акта.

## ОПИСАНИЕ ИЗДЕЛИЯ

Гели-смазки Durex® Play представляют собой лубриканты для личного использования для уменьшения вагинальной сухости и дискомфорта во время полового акта. Смазку наносят на интимные зоны перед половым актом или по мере необходимости. Продукты подходят для всех видов секса (вагинального, анального и орального), как описано в инструкции по применению.

- Гели-смазки Durex® Play Sweet Strawberry и Durex® Play Very Cherry – ароматизированные лубриканты.
- Гели-смазки Durex® Play Feel и Durex® Play Heat – лубриканты без ароматизаторов.

Вкус и запах в гелях Durex® Play Sweet Strawberry, Durex® Play Very Cherry достигается за счет следующих ингредиентов: клубничный ароматизатор «Клубничный шербет» A0818111, вишневый ароматизатор «Вишня» FH2A/FIR580650T соответственно.

Согревающий эффект Durex® Play Heat достигается за счет гигроскопического эффекта при контакте со слизистой вследствие повышенной концентрации глицерина.

Durex® Play Feel — классическая гель-смазка на водной основе.

## ТЕХНИЧЕСКИЕ ХАРАКТЕРИСТИКИ

### Спецификация изделия

| № | Технический параметр                                 | Требования к качеству при выпуске  | Требования к качеству в течение срока годности  |
|---|--|--|---|
| 1 | <b>Durex® Play Feel</b>                              |  |   |
|   | Внешний вид  | Чистый гель без инородных включений и посторонних веществ                        | Чистый гель без инородных включений и посторонних веществ                               |
|   | Испытание на запах                                   | Без запаха   | Без запаха  |
|   | pH при 25 °С   | 5,1–5,8  | 5,1–5,8   |
|   | Бензойная кислота, % м./м.                           | 0,143–0,157  | 0,130–0,157   |
|   | Общее число аэробных микроорганизмов, КОЕ/г          | Не более 200   | Не более 200  |
|   | Общее количество дрожжевых и плесневых грибов, КОЕ/г | Не более 20  | Не более 20   |
| 2 | <b>Durex® Play Heat</b>                              |  |   |
|   | Внешний вид  | Чистый бесцветный гель без инородных включений и посторонних веществ             | Чистый бесцветный гель без инородных включений и посторонних веществ                    |
|   | Испытание на запах                                   | Сладковатый  | Сладковатый   |
|   | pH при 25 °С   | 3,8–4,8  | 3,8–4,8   |
|   | Бензойная кислота, % м./м.                           | 0,143–0,157  | 0,130–0,157   |
|   | Общее число аэробных микроорганизмов, КОЕ/г          | Не более 200   | Не более 200  |
|   | Общее количество дрожжевых и плесневых грибов, КОЕ/г | Не более 20  | Не более 20   |
| 3 | <b>Durex® Play Sweet Strawberry</b>                  |  |   |
|   | Внешний вид  | Чистый бесцветный или розовый гель без инородных включений и посторонних веществ | Чистый бесцветный или бледно-розовый гель без инородных включений и посторонних веществ |
|   | Испытание на запах                                   | Характерный для клубники   | Характерный для клубники  |
|   | Испытание на вкус                                    | Характерный для клубники   | Характерный для клубники  |
|   | pH при 25 °С   | 3,8–4,8  | 3,8–4,8   |
|   | Бензойная кислота, % м./м.                           | 0,143–0,157  | 0,130–0,157   |
|   | Общее число аэробных микроорганизмов, КОЕ/г          | Не более 200   | Не более 200  |

|   |  |   |   |
|---|--|---|---|
|   | Общее количество дрожжевых и плесневых грибов, КОЕ/г | Не более 20   | Не более 20   |
| 4 | <b>Durex® Play Very Cherry</b>                       |   |   |
|   | Внешний вид  | Чистый бесцветный или бледно- желтый гель без инородных включений и посторонних веществ | Чистый бесцветный или бледно- желтый гель без инородных включений и посторонних веществ |
|   | Испытание на запах                                   | Характерный для вишни   | Характерный для вишни   |
|   | Испытание на вкус                                    | Характерный для вишни   | Характерный для вишни   |
|   | рН при 25 °С   | 3,8–4,8   | 3,8–4,8   |
|   | Бензойная кислота, % м./м.                           | 0,143–0,157   | 0,130–0,157   |
|   | Общее число аэробных микроорганизмов, КОЕ/г          | Не более 200  | Не более 200  |
|   | Общее количество дрожжевых и плесневых грибов, КОЕ/г | Не более 20   | Не более 20   |

#### ОСНОВНЫЕ ПАРАМЕТРЫ И ХАРАКТЕРИСТИКИ

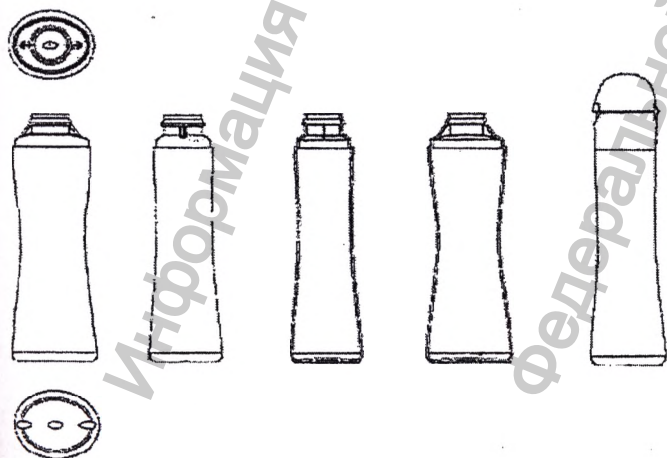
Гели-смазки Durex® Play могут поставляться в 50 мл флаконах (флаконы № 1–2), 100 мл флаконах (флакон № 3) и саше 5 мл (только гель-смазка Durex® Play Feel).

Спецификация упаковки:

**РАЗМЕРЫ УПАКОВОК:** флакон № 1: флакон без диспенсера (колпачок флип-топ) 50 мл.

- Durex® Play Feel, номинальный объем геля во флаконе не менее 50 мл, и масса геля во флаконе не менее 54,5 г.
- Durex® Play Heat, номинальный объем геля во флаконе не менее 50 мл, и масса геля во флаконе не менее 61,0 г.
- Durex® Play Sweet Strawberry, номинальный объем геля во флаконе не менее 50 мл, и масса геля во флаконе не менее 61,0 г.
- Durex® Play Very Cherry, номинальный объем геля во флаконе не менее 50 мл, и масса геля во флаконе не менее 61,0 г.

Чертеж флакона № 1

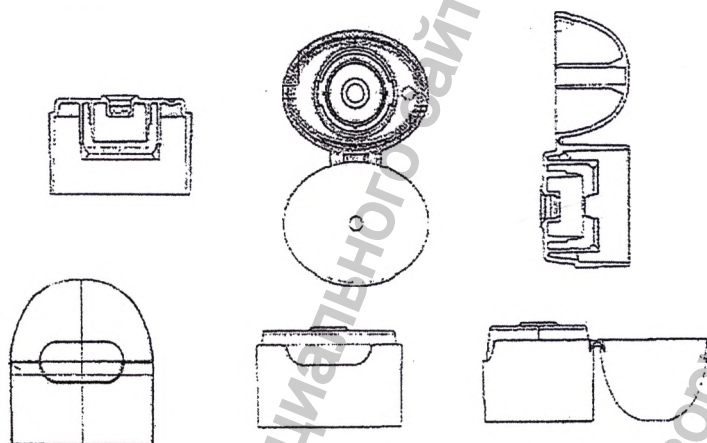




## Спецификация флакона №1

| Параметр          | Значение | Допустимое отклонение | Единицы измерения |
|-------------------|----------|-----------------------|-------------------|
| Общая высота      | 112,2    | ±1                    | мм                |
| Диаметр малой оси | 31,5     | ±0,5                  | мм                |
| Масса             | 8,5      | ±0,5                  | г                 |

Чертеж колпачка Флакона № 1



Спецификация колпачка Флакона № 1

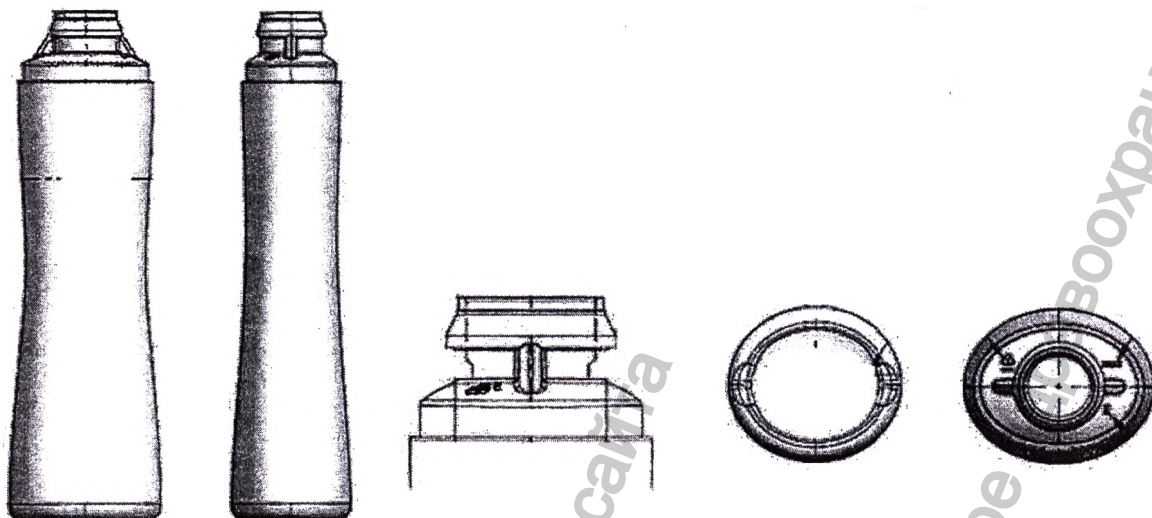
| Параметр                       | Значение    | Допустимое отклонение | Единицы измерения |
|--------------------------------|-------------|-----------------------|-------------------|
| Общая высота                   | 35,5        | ±0,5                  | мм                |
| Внешний диаметр в основании    | 33,8 × 25,8 | ±0,5                  | мм                |
| Внутренний диаметр в основании | 32,2 × 24,2 | ±0,5                  | мм                |

### РАЗМЕРЫ УПАКОВОК:

**Флакон № 2: флакон без диспенсера (колпачок флип-топ) 50 мл.**

- Durex® Play Feel, номинальный объем геля во флаконе не менее 50 мл, и масса геля во флаконе не менее 62,6 г.
- Durex® Play Heat, номинальный объем геля во флаконе не менее 50 мл, и масса геля во флаконе не менее 69,9 г.
- Durex® Play Sweet Strawberry, номинальный объем геля во флаконе не менее 50 мл, и масса геля во флаконе не менее 69,9 г.
- Durex® Play Very Cherry, номинальный объем геля во флаконе не менее 50 мл, и масса геля во флаконе не менее 69,9 г.

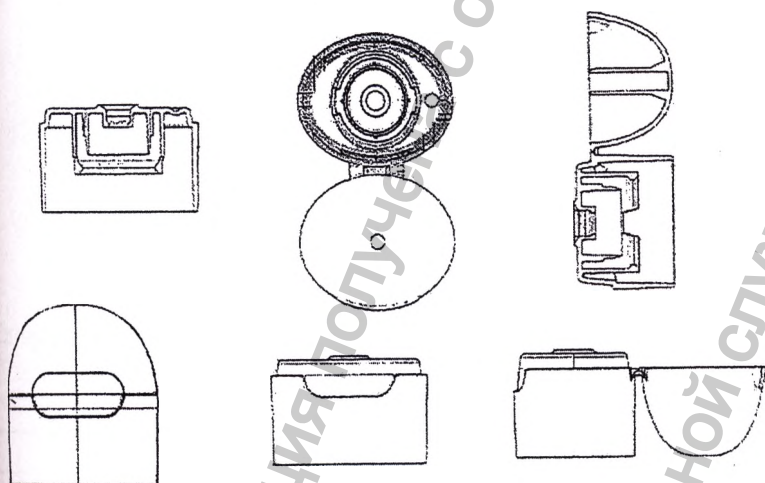
Чертеж Флакона № 2



Спецификация Флакона № 2

| Параметр          | Значение    | Допустимое отклонение | Единицы измерения |
|-------------------|-------------|-----------------------|-------------------|
| Общая высота      | 116,2       | ±1,0                  | мм                |
| Диаметр малой оси | 31,5        | ±0,5                  | мм                |
| Толщина стенки    | Минимум 0,4 | -                     | мм                |
| Масса             | 9           | ±1,0                  | г                 |

Чертеж колпачка Флакона № 2



Спецификация колпачка флакона № 2

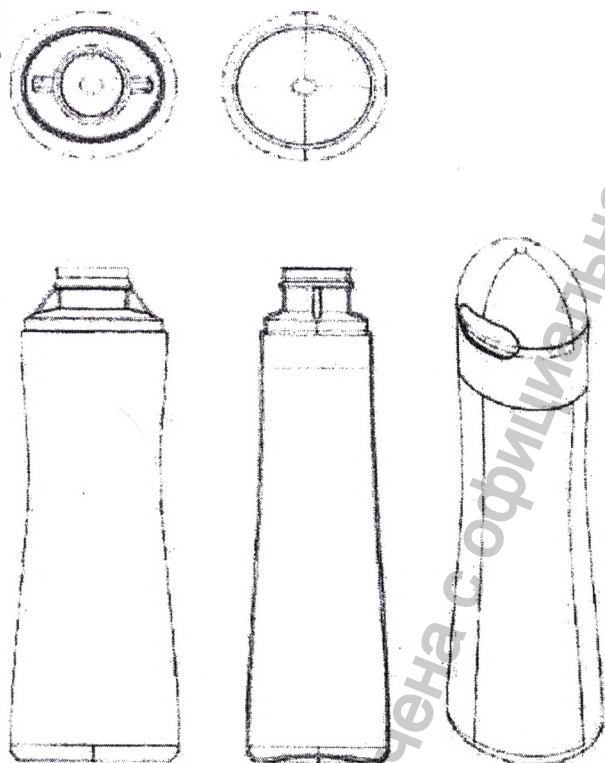
| Параметр                       | Значение    | Допустимое отклонение | Единицы измерения |
|--------------------------------|-------------|-----------------------|-------------------|
| Общая высота                   | 35,5        | ±0,5                  | мм                |
| Внешний диаметр в основании    | 33,8 × 25,8 | ±0,5                  | мм                |
| Внутренний диаметр в основании | 32,2 × 24,2 | ±0,5                  | мм                |

## РАЗМЕРЫ УПАКОВОК:

### Флакон № 3: флакон без диспенсера (колпачок флип-топ) 100 мл.

- Durex® Play Feel, номинальный объем геля во флаконе не менее 100 мл, и масса геля во флаконе не менее 110 г.
- Durex® Play Heat, номинальный объем геля во флаконе не менее 100 мл, и масса геля во флаконе не менее 121 г.
- Durex® Play Sweet Strawberry, номинальный объем геля во флаконе не менее 100 мл, и масса геля во флаконе не менее 121 г.
- Durex® Play Very Cherry, номинальный объем геля во флаконе не менее 100 мл, и масса геля во флаконе не менее 121 г.

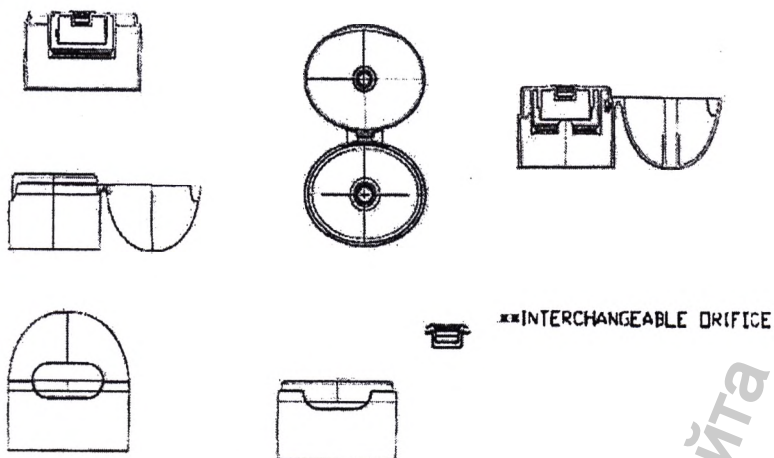
### Флакон № 3: чертеж



### Спецификация Флакона № 3

| Параметр          | Значение    | Допустимое отклонение | Единицы измерения |
|-------------------|-------------|-----------------------|-------------------|
| Общая высота      | 132,5       | ±1                    | мм                |
| Диаметр малой оси | 38,0        | ±0,5                  | мм                |
| Толщина стенки    | Минимум 0,4 | -                     | мм                |
| Масса             | 12,5        | ±0,5                  | г                 |

Чертеж колпачка Флакона № 3



Спецификация колпачка Флакона № 3

| Параметр                       | Значение    | Допустимое отклонение | Единицы измерения |
|--------------------------------|-------------|-----------------------|-------------------|
| Общая высота                   | 40          | ±0,5                  | мм                |
| Внешний диаметр в основании    | 38 × 30     | ±0,5                  | мм                |
| Внутренний диаметр в основании | 36,4 × 28,4 | ±0,5                  | мм                |

РАЗМЕРЫ УПАКОВОК: Саше 5 мл

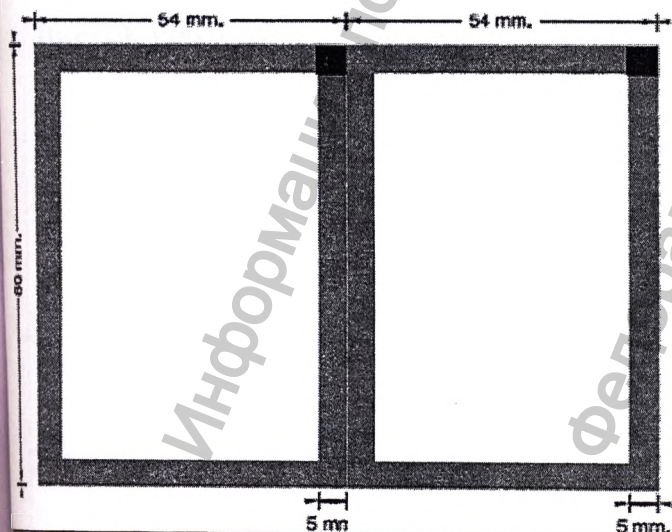
Гель-смазка Durex® Play Feel, номинальный объем геля в саше не менее 5 мл, масса геля в саше не менее 5,6 г.

Саше 5 мл: Спецификация саше

| Параметр                              | Значение   | Допустимое отклонение | Единицы измерения |
|---------------------------------------|------------|-----------------------|-------------------|
| Размер упаковки саше (ширина × длина) | 54 × 80 мм | ±1                    | мм                |
| Масса                                 | 0,79       | ±0,06                 | г                 |

Саше 5 мл: чертеж саше

Зона склеивания 5±1 мм с каждого угла/стороны.



Саше 5 мл дополнительно упакованы во вторичную упаковку из картона.

## ИСХОДНЫЕ МАТЕРИАЛЫ

Материалы упаковки для флаконов № 1–3

| Часть упаковки | Материал          |
|----------------|-------------------|
| Флакон:        | ПЭВП: HD6140B SCG |
| Колпачок:      | ПП: RP 348N HMC   |

Материалы упаковки для саше 5 мл

| Упаковка | Материал  |
|----------|---|
| Саше     | <p>ПЭТ 12 мкм/Пигмент + адгезив 5 мкм/DL/Алюминий 9 мкм/ПЭНП 50 мкм</p> <p>ПЭТ: A.J. Plast Public Company Limited (Эй.Джей Пласт Паблик Компани Лимитед)<br/>                     Пигмент: TOYO INK (THAILAND) CO., LTD («ТОЙО ИНК (ТАИЛАНД) КО., ЛТД.»)<br/>                     Адгезив: Novacote Flexpack (Новакот Флекспек)<br/>                     Алюминий: IANGSU ZHONGJI LAMINATION MATERIALS (Цзянсу Чжонджи Ламинейшн Материалс)<br/>                     ПЭНП: SCG Chemicals Co., Ltd. (Эс-Си-Джи Кемикалс Ко. Лтд)</p> |

\* Поставщики исходных материалов могут быть изменены на основании решения производителя. Перед внесением изменений официальный производитель выполнит оценку качества, безопасности и эффективности медицинского изделия.

ПП — полипропилен

ПЭВП — полиэтилен высокой плотности

ПЭНП — полиэтилен низкой плотности

ПЭТ — полиэтилентерефталат

DL — сухое ламинирование

### Материалы медицинского изделия/состав геля-смазки

| Название изделия | Химическое соединение                        | Массовая доля, % |
|------------------|--|------------------|
| Durex® Play Feel | Вода очищенная                               | 58,850           |
|                  | Пропиленгликоль                              | 20,000           |
|                  | Глицерин                                     | 20,000           |
|                  | Карбомер                                     | 0,600            |
|                  | Ксантановая камедь CG-SFT                    | 0,200            |
|                  | Гидроксид натрия                             | 0,160            |
|                  | Бензойная кислота                            | 0,150            |
|                  | Лимонная кислота                             | 0,040            |
| Durex® Play Heat | Глицерин                                     | 79,805           |
|                  | Вода очищенная                               | 17,5575          |
|                  | Пропиленгликоль                              | 2,000            |
|                  | Гидроксиэтилцеллюлоза Натрозол 250<br>Фарм** | 0,400            |
|                  | Бензойная кислота                            | 0,150            |

|  |  |          |
|--|--|----------|
|  | Сахарин натрия   | 0,075    |
|  | Гидроксид натрия                                       | 0,0125   |
| <b>Durex® Play Sweet Strawberry</b>              | Глицерин   | 79,805   |
|  | Вода очищенная   | 16,5575  |
|  | Пропиленгликоль  | 2,000    |
|  | Гидроксиэтилцеллюлоза Натрозол 250 Фарм**              | 0,400    |
|  | Бензойная кислота                                      | 0,150    |
|  | Сахарин натрия   | 0,075    |
|  | Гидроксид натрия*                                      | 0,0125   |
|  | Клубничный ароматизатор — «Клубничный щербет» A0818111 | 1,000    |
|  | <b>Durex® Play Very Cherry</b>                         | Глицерин |
| Вода очищенная                                   |  | 18,270   |
| Пропиленгликоль                                  |  | 2,000    |
| Гидроксиэтилцеллюлоза Натрозол 250 Фарм**        |  | 0,400    |
| Бензойная кислота                                |  | 0,150    |
| Сахарин натрия                                   |  | 0,075    |
| Гидроксид натрия*                                |  | 0,025    |
| Вишневый ароматизатор — «Вишня» FH2A/FIR 580650T |  | 0,080    |

\* Гидроксид натрия включен в состав в качестве регулятора pH. Количество гидроксида натрия может достигать 0,025 % для Durex® Play Sweet Strawberry, Durex® Play Heat и Durex® Play Very Cherry. Количество очищенной воды будет соответствующим образом скорректировано для обеспечения правильного веса серии.

\*\* Количество Натрозола может колебаться в зависимости от вязкости исходных материалов. Количество очищенной воды будет соответствующим образом скорректировано для обеспечения правильного веса серии.

## ПРИМЕНЕНИЕ

| Флаконы № 1–3   | Саше  |
|---|---|
| Откройте колпачок. Аккуратно выдавите немного геля-смазки и нанесите на интимные области.   | Разорвите упаковку саше. Аккуратно выдавите гель-смазку и нанесите на интимные области. Для однократного использования. |
| При использовании с презервативом нанесите гель-смазку на внешнюю сторону презерватива*. Продукция подходит для всех видов секса, как описано в инструкции по применению. |   |

## СОВМЕСТИМОСТЬ С ПРЕЗЕРВАТИВОМ

| Варианты гелей-смазок Durex® Play | Совместимость с презервативом |                  |                 |
|-----------------------------------|-------------------------------|------------------|-----------------|
|                                   | NRL (натуральный латекс)      | PI (полиизопрен) | PU (полиуретан) |
| Гель-смазка Durex® Play Feel      | Совместим                     | Совместим        | Совместим       |
| Гель-смазка Durex® Play Heat      | Совместим                     | Совместим        | Совместим       |

|  |           |           |           |
|--|-----------|-----------|-----------|
| Гель-смазка Durex® Play Sweet Strawberry | Совместим | Совместим | Совместим |
| Гель-смазка Durex® Play Very Cherry      | Совместим | Совместим | Совместим |

## ПОТЕНЦИАЛЬНЫЕ ПОТРЕБИТЕЛИ

Гели-смазки предназначены только для домашнего применения.

## УСЛОВИЯ ЭКСПЛУАТАЦИИ

К данному виду изделий не применяются определенные температурные условия при эксплуатации.

## ТРАНСПОРТИРОВКА И ХРАНЕНИЕ, СРОК ГОДНОСТИ

### Транспортировка

Изделия транспортируются всеми видами транспорта на паллетах.

Транспортирование возможно при температурах от -10 до +60 °С.

### Хранение

Хранить при температуре от 10 до 30 °С в недоступном для детей месте, вдали от прямого солнечного света. Открытую упаковку использовать в течение трех месяцев.

### Срок годности

Durex® Play Feel — 3 года для геля-смазки во флаконах № 1-3 и 2 года для геля-смазки в саше 5 мл.

Durex® Play Heat — 3 года для геля-смазки во флаконах № 1-3.

Durex® Play Sweet Strawberry — 2 года для геля-смазки во флаконах № 1-3.



Durex® Play Very Cherry — 3 года для геля-смазки во флаконах № 1-3.

## МАРКИРОВКА

На потребительской упаковке указаны следующие сведения:

- торговая марка;
- номер серии;
- срок годности (год и месяц);
- описание геля-смазки;
- объем геля в упаковке;
- состав геля;
- название официального производителя;
- юридический адрес компании производителя;
- адрес мест производства;
- инструкция по хранению;
- способ применения;
- меры предосторожности при использовании;
- информация о регистрации.

## СИМВОЛЫ НА МАРКИРОВКЕ

| Символ  | Расшифровка                   |
|---|-------------------------------|
|   | Наименование: номер серии     |
|  | Наименование: использовать до |

Дополнительная информация о продукте, включая ссылки на международные стандарты, информацию рекламного характера может быть указана на индивидуальной/потребительской упаковке — см. «Дизайн-проект маркировки».

## ПОРЯДОК ОСУЩЕСТВЛЕНИЯ УТИЛИЗАЦИИ И УНИЧТОЖЕНИЯ

Изделия должны использоваться в соответствии с инструкцией по применению. Гели-смазки Durex® Play представляют собой лубриканты для личного использования только в домашних условиях, и утилизируются как твердые бытовые отходы. При утилизации данных изделий специальные требования неприменимы.

## СВЕДЕНИЯ О ТЕХНИЧЕСКОМ ОБСЛУЖИВАНИИ, РЕМОНТЕ

Раздел не применим для медицинских изделий данного вида.

## ТРЕБОВАНИЯ ПО ОХРАНЕ ОКРУЖАЮЩЕЙ СРЕДЫ

При надлежащей транспортировке, эксплуатации и хранении данное медицинское изделие не оказывает негативного воздействия на организм человека и окружающую среду.

## ЗАЩИТА ОКРУЖАЮЩЕЙ СРЕДЫ

При надлежащей эксплуатации, хранении и утилизации гели-смазки Durex® Play не оказывают негативного воздействия на окружающую среду.



Документ утвердил:

Подписано электронной подписью DocuSign:

/подпись/

Полное имя подписавшего документ: Марк Эйнсуорт

Основание для подписания: я утверждаю настоящий документ

Время подписания: 28 июля 2020 Г. | 08:58 ПО БРИТАНСКОМУ ЛЕТНЕМУ ВРЕМЕНИ (BST)

BC84284D7A8446A5AA7891DC39BD6CF0

Дата: 28 июля 2020 Г. | 09:05 ПО БРИТАНСКОМУ ЛЕТНЕМУ ВРЕМЕНИ (BST)

Имя ответственного лица

Марк Эйнсуорт

Произведено:

«Рекитт Бенкизер Хелскэар (ЮК) Лтд.», Соединенное Королевство

## **ИНСТРУКЦИЯ ПО ПРИМЕНЕНИЮ МЕДИЦИНСКОГО ИЗДЕЛИЯ:**

**Гели-смазки Durex® Play**

произведено

«Рекитт Бенкизер Хелскэар (ЮК) Лимитед», Соединенное Королевство

## 1. Гель-смазка Durex® Play Feel

Гели-смазки Durex® Play разработаны для дополнительного увлажнения и уменьшения вагинальной сухости и дискомфорта.

Перед использованием: Подходит для вагинального, анального и орального секса. НЕ ПОВРЕЖДАЕТ ПРЕЗЕРВАТИВЫ. Хранить при температуре от 10 до 30°C, в недоступном для детей месте, вдали от прямого солнечного света. Открытую упаковку использовать в течение 3-х месяцев.

Применение:

| Флакон № 1–3:   | Саше   |
|---|--|
| Откройте колпачок. Аккуратно выдавите немного геля-смазки и нанесите на интимные области. | Разорвите упаковку саше. Аккуратно выдавите гель-смазку на интимные области. Для однократного использования. |

При использовании с презервативом нанесите гель-смазку на внешнюю сторону надетого презерватива.

Меры предосторожности: Использовать по назначению. Не содержит спермицидов и не является контрацептивом. Может замедлять движение сперматозоидов. Избегать попадания в глаза, контактов с поврежденной кожей или ранами.

Прекратите использование при появлении раздражения. Обратиться к врачу, если раздражение продолжается или есть необходимость использовать гель-смазку регулярно, а также перед применением при беременности или грудном вскармливании.

**Состав:** вода очищенная, пропиленгликоль, глицерин, карбомер, ксантановая камедь, гидроксид натрия, бензойная кислота, лимонная кислота.

**Производитель:** Рекитт Бенкизер Хелскээр (ЮК) Лтд., 103–105 Бат Роуд, Слау, Беркшир SL1 3UH, Соединенное Королевство.

**Место производства:**

- 1) Рекитт Бенкизер Хелскээр Мануфэктуринг (Таиланд) Лтд., 65 Моо 12, Лардкрабанг-Бангпли Роуд, Бангпли, Самутпракарн, 10540, Таиланд.
- 2) Мейюм Мануфэктуринг (Таиланд) Лимитед., № 21/7 Моо 6, Тамбол Кукот, Ампур Ламлукка, Патхумтхани Провинс, 12130, Таиланд.

**Уполномоченная организация в России:** ООО «Рекитт Бенкизер Хэлскээр» 115114, Москва, Шлюзовая набережная, 4, 3-й этаж. Телефон горячей линии (бесплатно по России): 8-800-200-82-20, e-mail: contact\_ru@rb.com.

Срок годности: 3 года (для флаконов № 1–3)/2 года (для саше)

Дату окончания срока годности (EXP. ГТГГ.ММ) и номер серии (LOT) см. на упаковке.

Инструкция от: 00/0000

Регистрационное удостоверение: ФСЗ 0000/00000 от 00.00.0000



PET (для флаконов № 1–3) /



PAP (для саше)

Объем 50/100/5 мл

'Feel (Фил)

## 2. Гель-смазка Durex® Play Heat

Гели-смазки Durex® Play разработаны для дополнительного увлажнения и уменьшения вагинальной сухости и дискомфорта.

**Перед использованием:** Подходит для вагинального, анального и орального секса. НЕ ПОВРЕЖДАЕТ ПРЕЗЕРВАТИВЫ. Хранить при температуре от 10 до 30°C, в недоступном для детей месте, вдали от прямого солнечного света. Открытую упаковку использовать в течение 3-х месяцев.

**Применение:** Откройте колпачок. Аккуратно выдавите немного геля-смазки и нанесите на интимные области. При использовании с презервативом нанесите гель-смазку на внешнюю сторону надетого презерватива.

**Меры предосторожности:** Использовать по назначению. Не содержит спермицидов и не является контрацептивом. Может замедлять движение сперматозоидов. Избегать попадания в глаза, контактов с поврежденной кожей или ранами.

Прекратите использование при появлении раздражения. Обратиться к врачу, если раздражение продолжается или есть необходимость использовать гель-смазку регулярно, а также перед применением при беременности или грудном вскармливании.

**Состав :** глицерин, вода очищенная, пропиленгликоль, гидроксипропилцеллюлоза, бензойная кислота, сахарин натрия, гидроксид натрия.

**Производитель:** Рекитт Бенкизер Хелскээр (ЮК) Лтд., 103–105 Бат Роуд, Слау, Беркшир SL1 3UH, Соединенное Королевство.

**Место производства:**

1) Рекитт Бенкизер Хелскээр Мануфэктуринг (Таиланд) Лтд., 65 Моо 12, Лардкрабанг-Бангпли Роуд, Бангпли, Самутпракарн, 10540, Таиланд.

2) Мейном Мануфэктуринг (Таиланд) Лимитед., № 21/7 Моо 6, Тамбол Кукот, Ампур Ламлукка, Патхумтхани Провинс, 12130, Таиланд.

**Уполномоченная организация в России:** ООО «Рекитт Бенкизер Хэлскээр» 115114, Москва, Шлюзовая набережная, 4, 3-й этаж. Телефон горячей линии (бесплатно по России): 8-800-200-82-20, e-mail: contact\_ru@rb.com.

Срок годности: 3 года

Дату окончания срока годности (EXP. ГТГГ.ММ) и номер серии (LOT) см. на упаковке.

Инструкция от: 00/0000

Регистрационное удостоверение: ФСЗ 0000/00000 от 00.00.0000



Объем 50/100 мл

'Heat (Хит)

### 3. Гель-смазка Durex® Play Sweet Strawberry

Гели-смазки Durex® Play разработаны для дополнительного увлажнения и уменьшения вагинальной сухости и дискомфорта.

**Перед использованием:** Подходит для вагинального, анального и орального секса. НЕ ПОВРЕЖДАЕТ ПРЕЗЕРВАТИВЫ. Хранить при температуре от 10 до 30°C, в недоступном для детей месте, вдали от прямого солнечного света. Открытую упаковку использовать в течение 3-х месяцев.

**Применение:** Откройте колпачок. Аккуратно выдавите немного геля-смазки и нанесите на интимные области. При использовании с презервативом нанесите гель-смазку на внешнюю сторону надетого презерватива.

**Меры предосторожности:** Использовать по назначению. Не содержит спермицидов и не является контрацептивом. Может замедлять движение сперматозоидов. Избегать попадания в глаза, контактов с поврежденной кожей или ранами.

Прекратите использование при появлении раздражения. Обратиться к врачу, если раздражение продолжается или есть необходимость использовать гель-смазку регулярно, а также перед применением при беременности или грудном вскармливании.

**Состав:** глицерин, вода очищенная, пропиленгликоль, гидроксипропилцеллюлоза, бензойная кислота, сахарин натрия, гидроксид натрия, ароматизатор «Клубничный щербет».

**Производитель:** Рекитт Бенкизер Хелскэр (ЮК) Лтд., 103–105 Бат Роуд, Слау, Беркшир SL1 3UH, Соединенное Королевство.

**Место производства:**

1) Рекитт Бенкизер Хелскэр Мануфэктуринг (Таиланд) Лтд., 65 Моо 12, Лардкрабанг-Бангли Роуд, Бангли, Самутпракарн, 10540, Таиланд.

2) Мейюм Мануфэктуринг (Таиланд) Лимитед., № 21/7 Моо 6, Тамбол Кукот, Ампур Ламлукка, Патхумтхани Провинс, 12130, Таиланд.

**Уполномоченная организация в России:** ООО «Рекитт Бенкизер Хэлскэр» 115114, Москва, Шлюзовая набережная, 4, 3-й этаж. Телефон горячей линии (бесплатно по России): 8-800-200-82-20, e-mail: contact\_ru@rb.com.

Срок годности: 2 года

Дату окончания срока годности (EXP. ГТГГ.ММ) и номер серии (LOT) см. на упаковке.

Инструкция от: 00/0000

Регистрационное удостоверение: ФСЗ 0000/00000 от 00.00.0000



Объем 50/100 мл

‘Sweet Strawberry (Сладкая Клубника)

#### 4. Гель-смазка Durex® Play Very Cherry

Гели-смазки Durex® Play разработаны для дополнительного увлажнения и уменьшения вагинальной сухости и дискомфорта.

**Перед использованием:** Подходит для вагинального, анального и орального секса. НЕ ПОВРЕЖДАЕТ ПРЕЗЕРВАТИВЫ. Хранить при температуре от 10 до 30°C, в недоступном для детей месте, вдали от прямого солнечного света. Открытую упаковку использовать в течение 3-х месяцев.

**Применение:** Откройте колпачок. Аккуратно выдавите немного геля-смазки и нанесите на интимные области. При использовании с презервативом нанесите гель-смазку на внешнюю сторону надетого презерватива.

**Меры предосторожности:** Использовать по назначению. Не содержит спермицидов и не является контрацептивом. Может замедлять движение сперматозоидов. Избегать попадания в глаза, контактов с поврежденной кожей или ранами.

Прекратите использование при появлении раздражения. Обратиться к врачу, если раздражение продолжается или есть необходимость использовать гель-смазку регулярно, а также перед применением при беременности или грудном вскармливании.

**Состав:** глицерин, вода очищенная, пропиленгликоль, гидроксипропилцеллюлоза, бензойная кислота, сахарин натрия, гидроксид натрия, ароматизатор «Вишня».

**Производитель:** Рекитт Бенкизер Хелскээр (ЮК) Лтд., 103–105 Бат Роуд, Слау, Беркшир SL1 3UH, Соединенное Королевство.

**Место производства:**

1) Рекитт Бенкизер Хелскээр Мануфэктуринг (Таиланд) Лтд., 65 Моо 12, Лардкрабанг-Бангпли Роуд, Бангпли, Самутпракарн, 10540, Таиланд.

2) Мейюм Мануфэктуринг (Таиланд) Лимитед., № 21/7 Моо 6, Тамбол Кукот, Ампул Ламлукка, Патхумтхани Провинс, 12130, Таиланд.

**Уполномоченная организация в России:** ООО «Рекитт Бенкизер Хэлскээр» 115114, Москва, Шлюзовая набережная, 4, 3-й этаж. Телефон горячей линии (бесплатно по России): 8-800-200-82-20, e-mail: contact\_ru@rb.com.

Срок годности: 3 года

Дату окончания срока годности (EXP. ГТГГ.ММ) и номер серии (LOT) см. на упаковке.

Инструкция от: 00/0000

Регистрационное удостоверение: ФСЗ 0000/00000 от 00.00.0000



Объем 50/100 мл

‘Very Cherry (Вери Черри)

Перевод с английского языка на русский язык выполнен переводчиком Шатневым Ильей Алексеевичем

Российская Федерация. Город Москва.

Двадцать первого августа две тысячи двадцатого года.

Я, Бахтадзе Эльмира Юрьевна, нотариус г. Москвы, свидетельствую подлинность подписи переводчика Шатнева Ильи Алексеевича.

Подпись сделана в моём присутствии.

Личность подписавшего документ установлена.

Зарегистрировано в реестре: №77/52-н/77-2020-6-164

Взыскано по тарифу 100 руб.

Уплачено за оказание услуг правового и технического характера: --

Подпись

Э.Ю. Бахтадзе

Печать

Всего прошнуровано, пронумеровано  
и скреплено печатью.....37.....лист...18  
Нотариус.....)

Подпись

Печать

Российская Федерация. Город Москва

Двадцать первого августа две тысячи двадцатого года.

Я, Бахтадзе Эльмира Юрьевна, нотариус г. Москвы, свидетельствую верность копии с представленного мне документа.

Зарегистрировано в реестре: №77/52-н/77-2020-6-165

Взыскано по тарифу: 380р.

Уплачено за оказание услуг правового и технического характера: --

Э.Ю. Бахтадзе



Всего прошнуровано, пронумеровано  
и скреплено печатью.....37.....лист...18  
Нотариус.....)

Handwritten signature in blue ink.

